

EZS951F

1080p AHD Stainless Steel Outdoor
Bullet with Motorized Lens & IR



eZ.HD



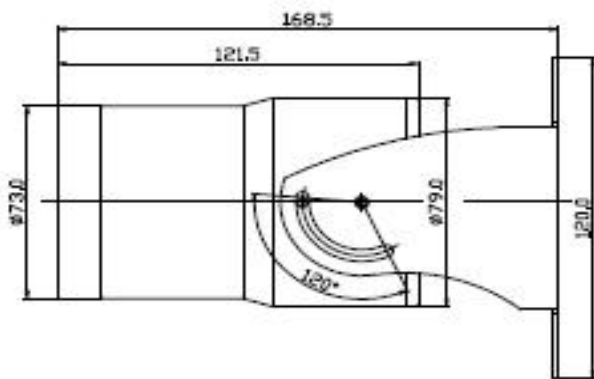
Features

- Marine Grade Stainless Steel (AISI 316) can withstand harsh and corrosive environment
- 1/2.8" Sony Exmor CMOS Image Sensor
- Full HD 1080p Resolution
- True Day & Night with Two Large IR LEDs
- 2.8 - 12mm Motorized Megapixel Lens
- Waterproof - IP68 Compliant
- D-WDR & 3D DNR
- UTC Control

Specification

Model No.	EZS951F		
Image Sensor	1/2.8" Sony Exmor CMOS	Day & Night	Auto/Color/B&W/Extern.
Active Pixel	1920(H) x 1080(V) 2.1M Pixels	White Balance	ATW/AWC/Indoor/Outdoor/Man./AWB
Resolution	1080p	DNR	Off/Low/Middle/High
Video Output	AHD: 1080p; Analog: CVBS	Mirror	Off/Mirror/V-Flip/Rotate
Min. Illumination	Color: 1.0 lux; B/W: 0.5 lux	Sharpness	0-10 Steps
Scanning System	Progressive	Privacy Mask	4 Masks
S/N Ratio	More than 50dB (AGC off)	Motion Detection	Off/On
AGC	Off/1-15	Language	English/Chinese/German/French Italian/Spanish/Polish/Russian/ Portuguese/Netherlands(Dutch) Turkish
Shutter Speed	Auto/Manual (1/50(60) ~ 1/50,000 sec)	Power Source	DC12V +/- 10%
SENS-UP	Off/X2 - X30	Power Consumption	Max 4.0 Watts with IR On
Brightness	0 - 100	Operating Temperature	14°F - 122°F (-10°C - 50°C)
Backlight	Off/BLC/HSBLC	Operating Humidity	10% - 85%
Defog	Off/Auto	Dimensions	2.87"(dia) x 6.25"(L)

Dimensions



Find Out More At:
EverFocus USA - California:
 TEL: +1 626 844 8888
www.everfocus.com
sales@everfocus.com

